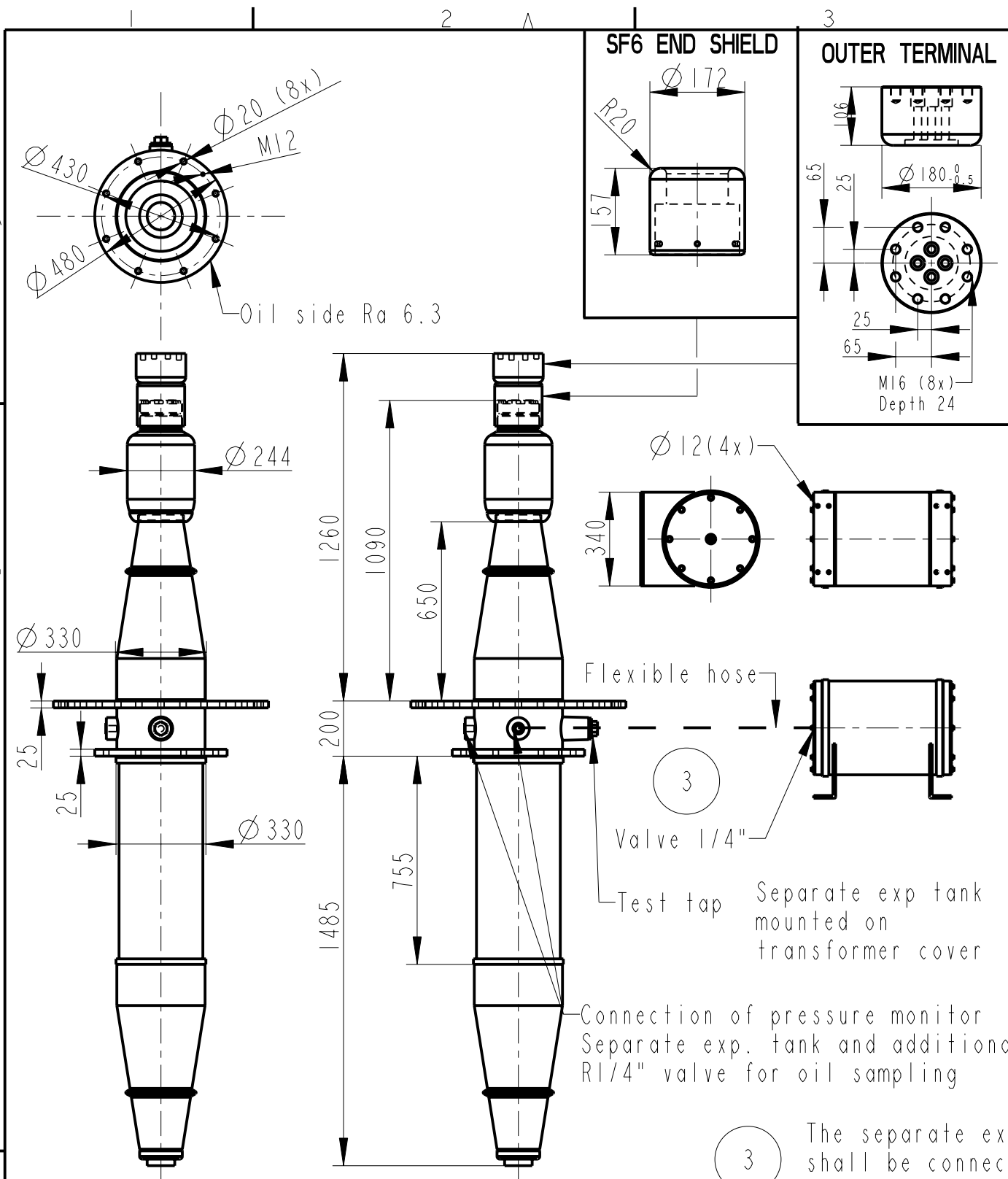


Rev	Ind	Revision	Appd	Date
3		Hose and text insert	NG	01 36



Ordering Data:

BUSHING
LF124 508-G

OUTER TERMINAL

LF170 073-GP	Cu/Ag	H2 (mm)	D2 (mm)
LF170 050-AP	Cu/Ag (NGTS 2.3)	75	96
		106	180

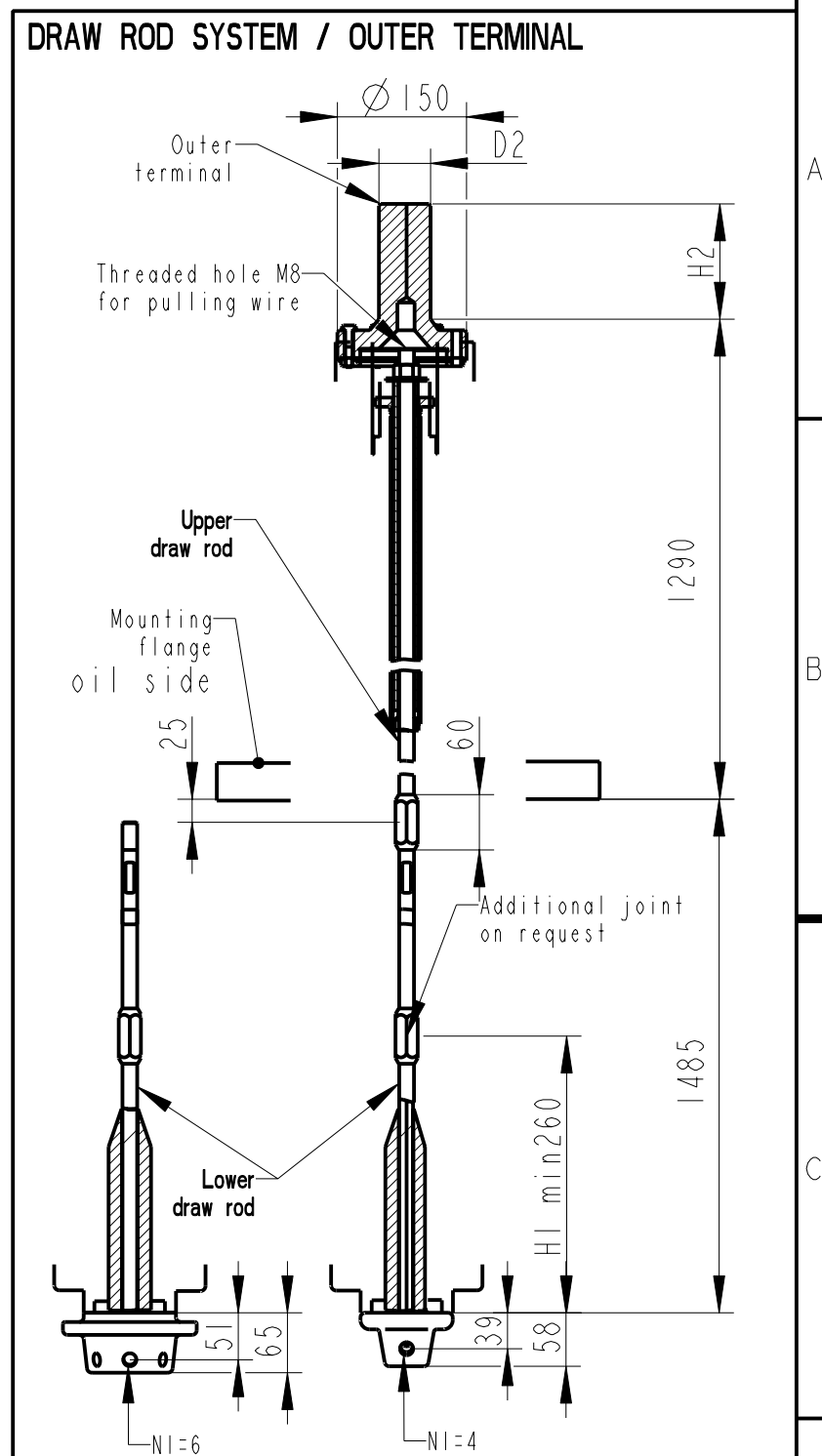
END-SHIELD
LF170 046-U Epoxy insulated

SF6 END SHIELD
LF170 046-AX L= 157 mm

DRAW ROD SYSTEM
LF124 102-H NI=6

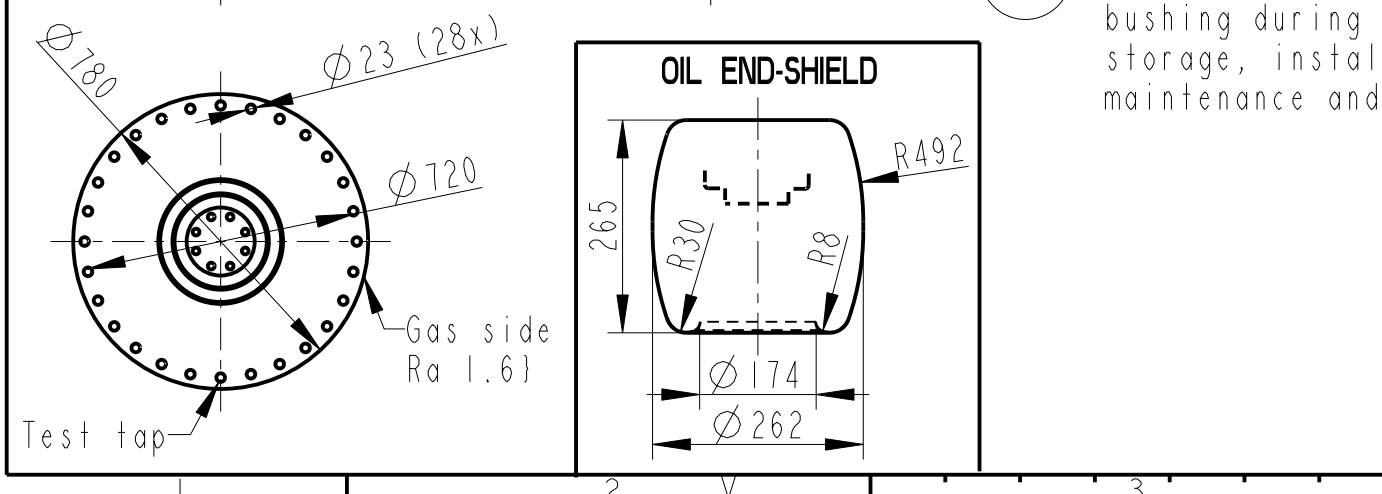
PRESSURE MONITOR
LF410 024-K 230V Ac

EXPANSION TANK AND HOSE
LF170 036-G
Separate expansion tank with bellows
Hose 2515 717-A length to be specified



Bushing Data:

Rated Voltage	420	kV
Phase to-earth Voltage	245	kV
Dry Lightning Impulse 1,2/50µs	1425	kV
Switching Impulse	1175	kV
Power frequency AC	695	kV
Routine test 1 min dry 50Hz	630	kV
Rated Current Vertical	2500	A
Rated Current Horizontal	1600	A
Mass	320	kg



3 The separate expansion tank shall be connected to the bushing during transport, storage, installation, maintenance and service.

ABB Components Ludhika, Sweden

U _{dry}	No.				
U	kV	U _r	A	50-60 Hz	
M	kV	S	kV	AC	kV
C1	kg	L	mm	D	
C2	PF	Tanδ			
	PF	Tanδ			

NI=Number of holes M12, equipped with thread insert with screw lock, depth 20, for cable lugs.

Based on	Reg. No.	Title GOEK 1300-1050-2500-0.75-0-SSA LF 124508-G	Language 82
Prepared Gudmundsson	Responsible department COM/BK 01 22		
Approved Johansson	Take over department	Page 1(1)	Document No. 2753 015-44
Design engineering review Gutman	Database		
ABB ABB Components			

We reserve all rights in this document and in the information contained therein. Reproduction, use or disclosure to third parties without express authority is strictly forbidden. ©ABB